

# IS 345

V3 KNX - in-ceiling installation, sq. white  
 EAN 4007841 079680  
 Article number 079680



infrared sensor  
360°



max. 20 x 4 m



KNX



IP20



2 - 1000 lux



1-255 min



ideal 2,5 - 5 m

Teach

Teach mode



energy saving

5 years

manufacturer's  
warranty steinel-  
professional.de/  
garantie

## Function description

Huge reach. Infrared motion detector IS 345 for indoors and out, ideal for passageways, corridors and commonly used spaces, installation height 5 m, detection zone 12 x 6 m (radial) and 23 x 6 m (tangential). Available either in round or square surface-mounted, concealed or In-ceiling installation.

## Technical specifications

Dimensions (L x W x H)	121 x 94 x 94 mm
Manufacturer's Warranty	5 years
Settings via	ETS software, Remote control, Bus, Smart Remote
Version	KNX - in-ceiling installation, sq. white
PU1, EAN	4007841079680
Type	Motion detectors
Application, place	Indoors
Application, room	corridor / aisle, multi-storey / underground car park, Indoors
Colour	white
Colour, RAL	9003
Includes corner wall mount	No
Installation site	ceiling
Installation	In-ceiling installation, Ceiling
IP-rating	IP20
Ambient temperature	from -20 up to 50 °C
Material	Plastic

Detection angle	Aisle, 360 °
Angle of aperture	45 °
Sneak-by guard	Yes
Capability of masking out individual segments	Yes
Electronic scalability	No
Mechanical scalability	No
Reach, radial	12 x 6 m (72 m <sup>2</sup> )
Reach, tangential	23 x 6 m (138 m <sup>2</sup> )
Time setting	0 s – 1092 Min.
Basic light level function	Yes
Main light adjustable	0 - 100 %
Twilight setting TEACH	Yes
Constant-lighting control	Yes
KNX functions	Photo-cell controller, Basic light level function, Light level, HVAC output, Constant-lighting control, Light output 2x, Presence output, Day / night function, Logic gate

# IS 345

V3 KNX - in-ceiling installation, sq. white  
EAN 4007841 079680  
Article number 079680



## Technical specifications

With bus coupling	Yes	Interconnection	Yes
Mounting height	2,50 – 5,00 m	Type of interconnection	Master/slave
Mounting height max.	5,00 m	Interconnection via	KNX bus
Optimum mounting height	2,5 m	Rated current	12,5 mA
		Product category	Motion detector

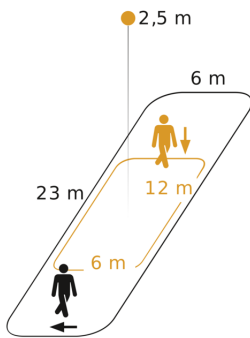
## Accessories

EAN 4007841 009151	Remote control Smart Remote
EAN 4007841 593018	Service remote control RC6 KNX
EAN 4007841 592912	User remote control RC7 KNX
EAN 4007841 056728	Black cover for IR-sensors

# IS 345

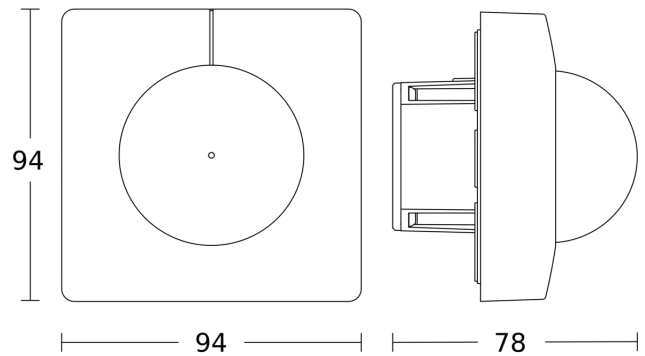
V3 KNX - in-ceiling installation, sq. white  
EAN 4007841 079680  
Article number 079680

## Detection Zone

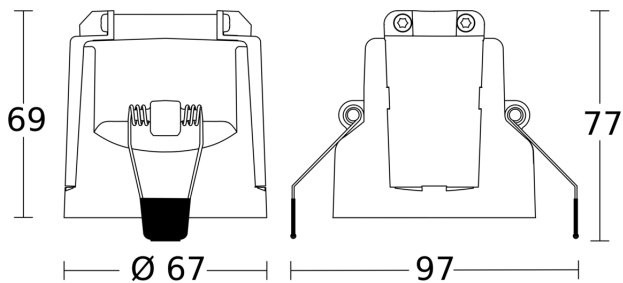


Possible mounting height: 2,50 m - 5,00 m  
Orange: radial  
Black: tangential

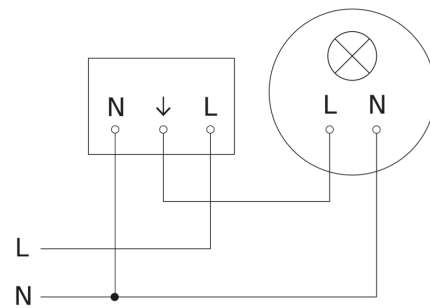
## Dimension Drawing 1



## Dimension Drawing 2



## Master circuit diagram



# IS 345

V3 KNX - in-ceiling installation, sq. white  
EAN 4007841 079680  
Article number 079680

## Master/slave interconnection circuit diagram

